

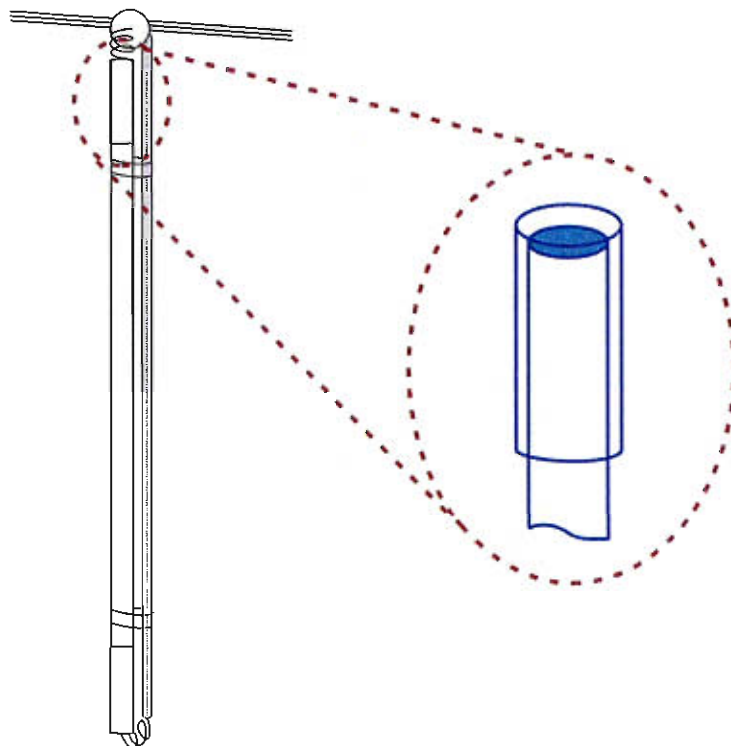
Potato Chitting Light Safety

The Electricity at Work Regulations 1989 state that electrical equipment which may reasonably foreseeably be exposed to mechanical damage should be of a construction or protected so as to prevent danger arising from exposure to live electrical parts.

The Health and Safety Executive has identified that conventional potato chitting light design contravenes this regulation. A fluorescent tube could easily be broken during service and such damage could expose the live terminals at the end of the tube.

An acceptable solution to alleviate this danger has been designed and is on sale from a number of chitting light suppliers.

It is simply a perspex tube which slips over the end of the lamp shielding a user against accidental contact with live parts. All existing and new lights should be fitted with this safety sheath.



*Farm Energy Centre
June 1995*

p:/new-tnotes/tn41.pm65